

## DM TEC IV1

### 1-channel Ceiling Mounted Movement Detector with Inverted Relay

---

#### Description

---

- PIR Motion Detector for surface ceiling mounting.
- 1 output channel with 16A relay and normally closed contact.
- The Logic of operation is inverse to the standard one. Allows turning off the lighting when a movement is detected in its coverage area.
- In addition, through a second time delay, it allows the lighting to be activated once movement is no longer detected and the set delay time elapses.
- Operation independent of ambient light.
- Adjustable time delay by potentiometer.
- Coverage: 360° in Ø7m (max.) at 2.5m high
- Zero crossing point technology to protect the contacts of the relay and manage high loads.
- Valid for all type of lamps, including LED and UV lamps.
- Application examples: control of germicidal lamps for disinfecting rooms.



#### Technical Characteristics

---

Reference	DM TEC IV1
Power Supply	230V~ ±10% 50Hz
Consumption	< 1W
Switching Capacity	16A cosφ = 1
- UV Lamps	1300W
- LED Lamps	400W
- Incandescent & 230V Halogen lamps	3000W
- LV Halogens with electronic transfo	3000W
- LV Halogens with magnetic transfo	2400W
- Fluorescence	1300W (130μF)
Coverage Area	360° & Ø7m at 2,5m high and 18°C
Time Delay	T1 (delay after detection): 1min - 20min T2 (delay after no-detection): 5min – 90min or cancel
Luminosity Setting	Not adjustable. Independent operation
Sensitivity	Not adjustable
Environmental Protection	IP40, Class II
Working Temperature	-10°C ~ +45°C

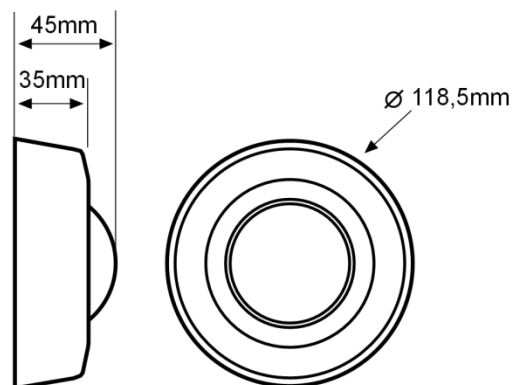
## DM TEC IV1

### 1-channel Ceiling Mounted Movement Detector with Inverted Relay

---

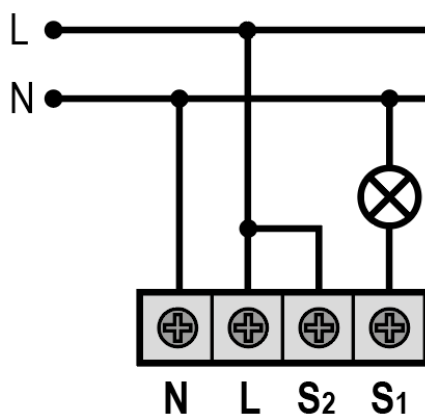
#### Dimensions

---



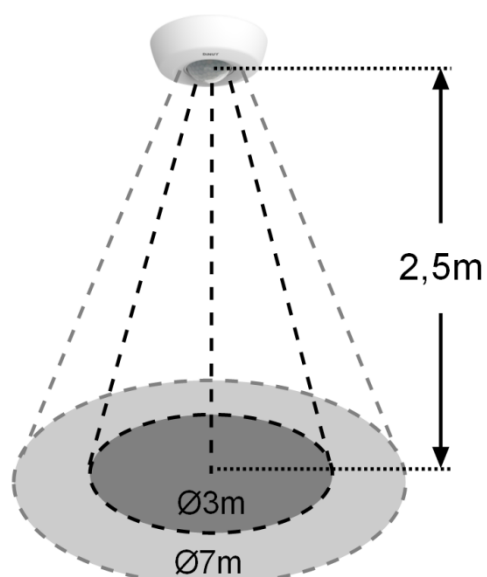
#### Wiring Diagrams

---



#### Coverage

---



## DM TEC IV1

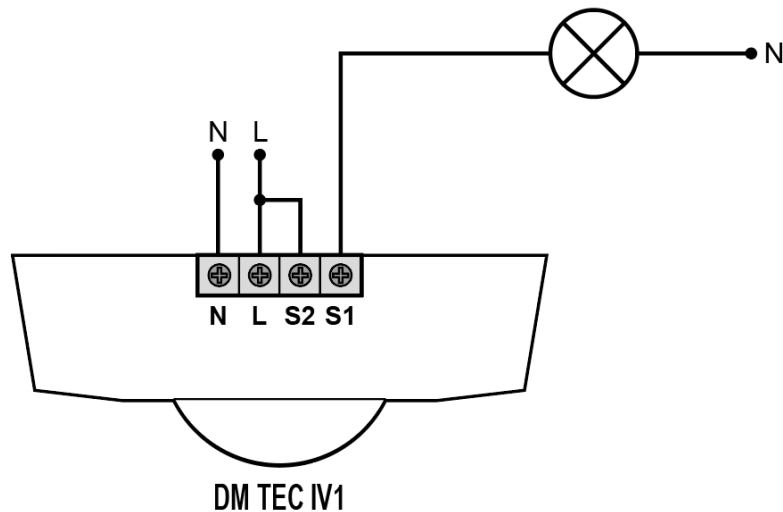
### 1-channel Ceiling Mounted Movement Detector with Inverted Relay

---

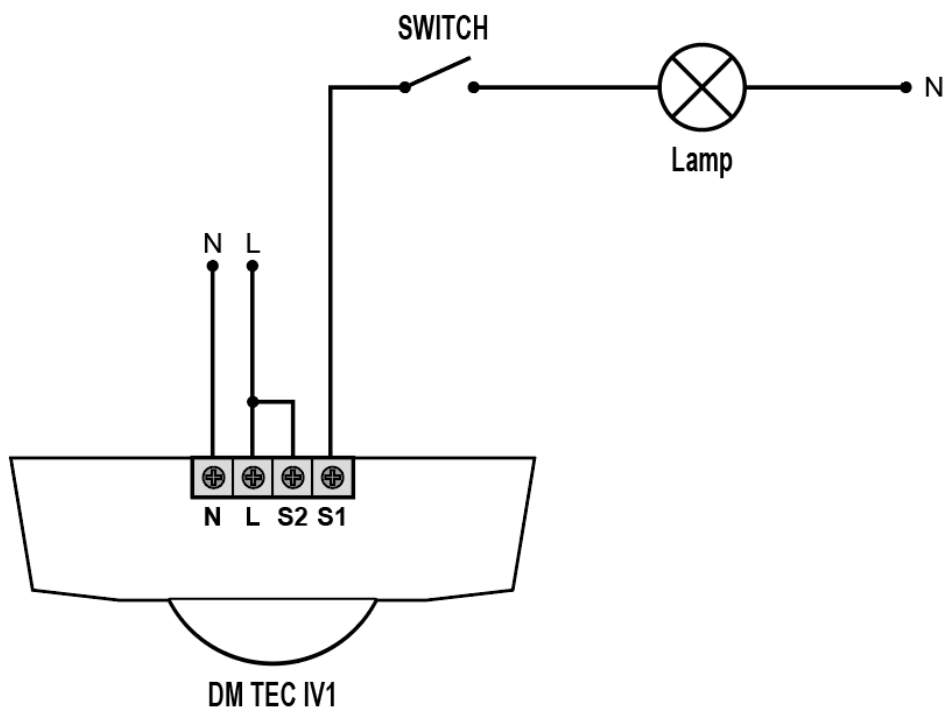
#### Application Examples

---

- **Example 1:** Detector in single installation. The lamps will be permanently activated when no movement is detected during the set delay time.



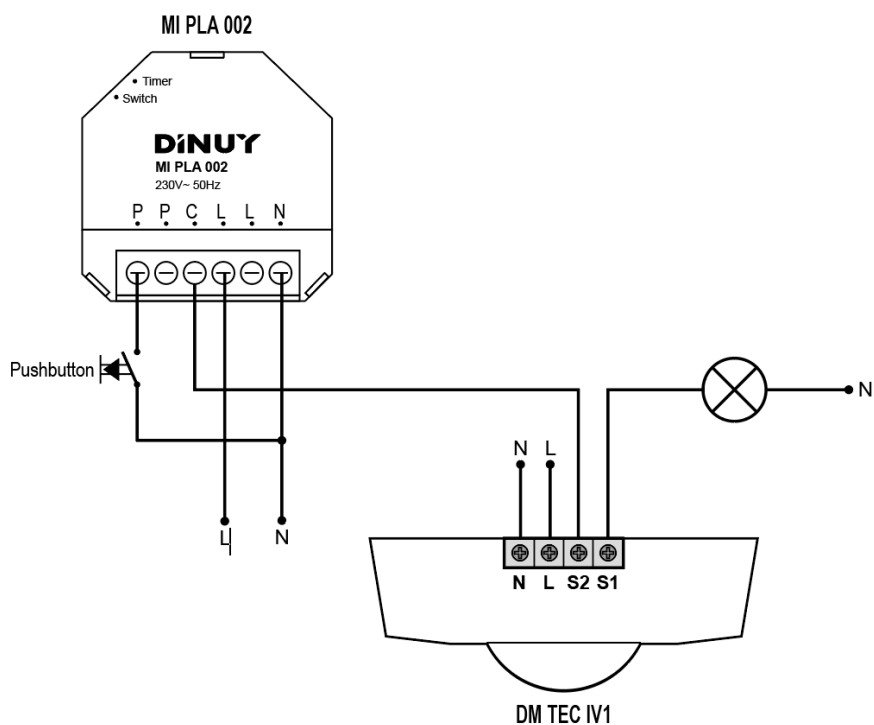
- **Example 2:** Detector together with external switch. The lamps will be permanently activated as long as the Switch is closed and no motion is detected.



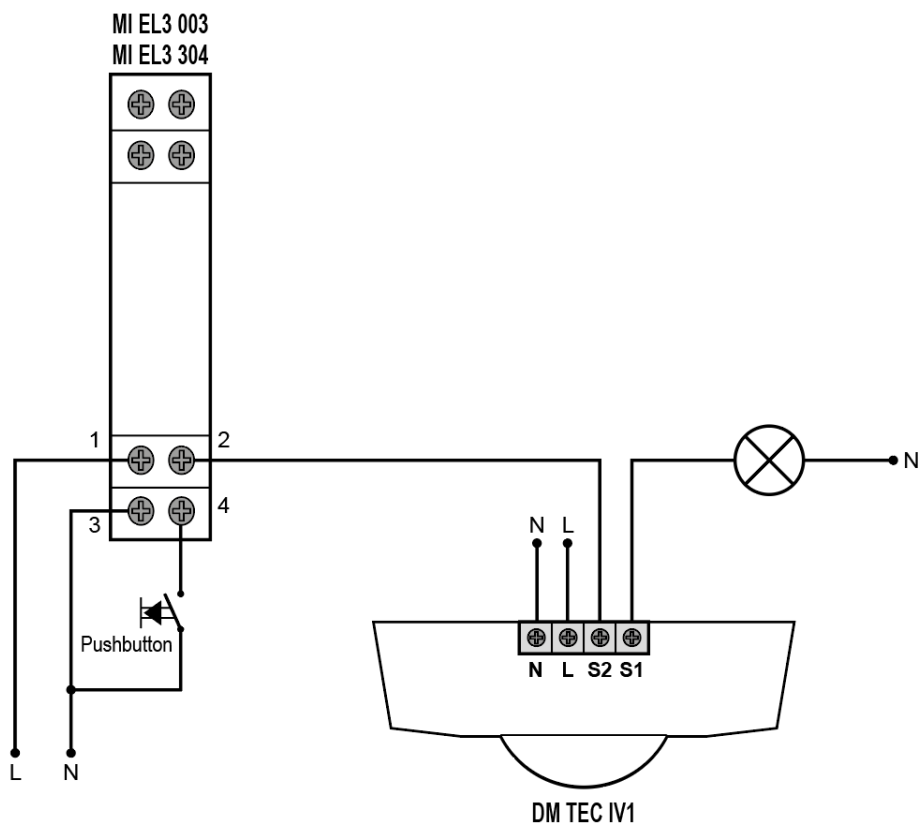
## DM TEC IV1

### 1-channel Ceiling Mounted Movement Detector with Inverted Relay

- **Example 3:** Detector together with external timer. The lamps will be activated for a time when the button is pressed and no movement is detected.



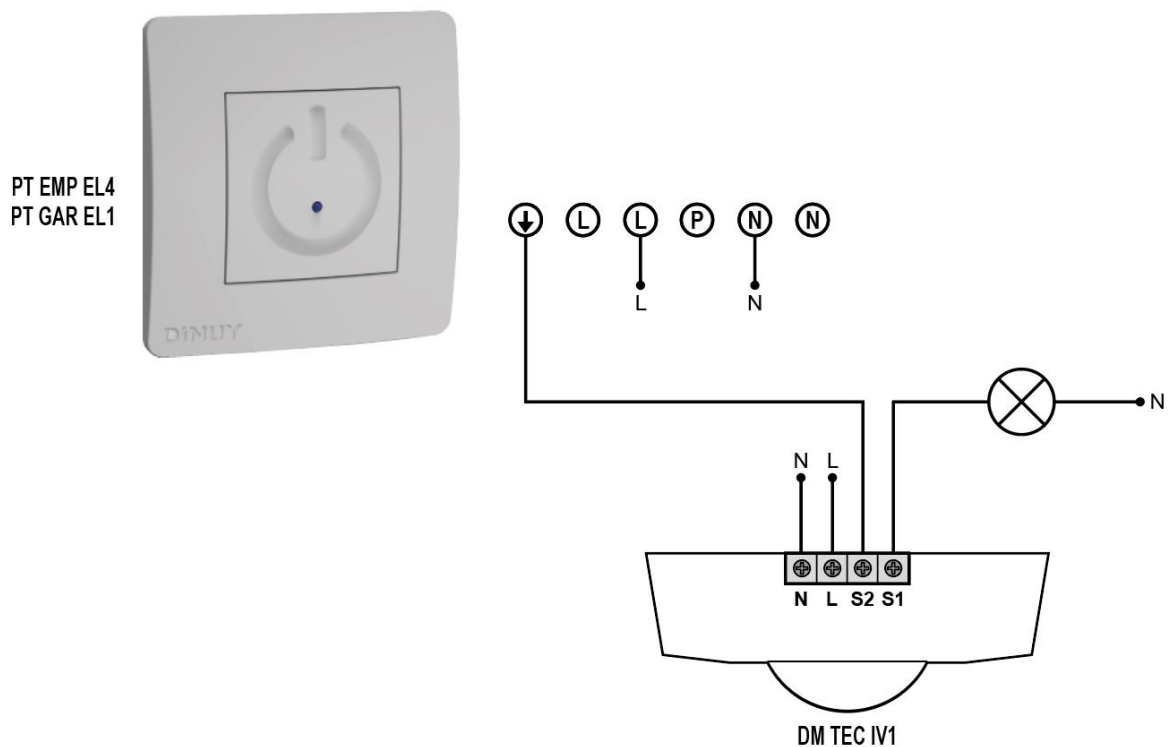
- **Example 4:** Detector together with staircase time switch. The lamps will be activated for a time when the button is pressed and no movement is detected.



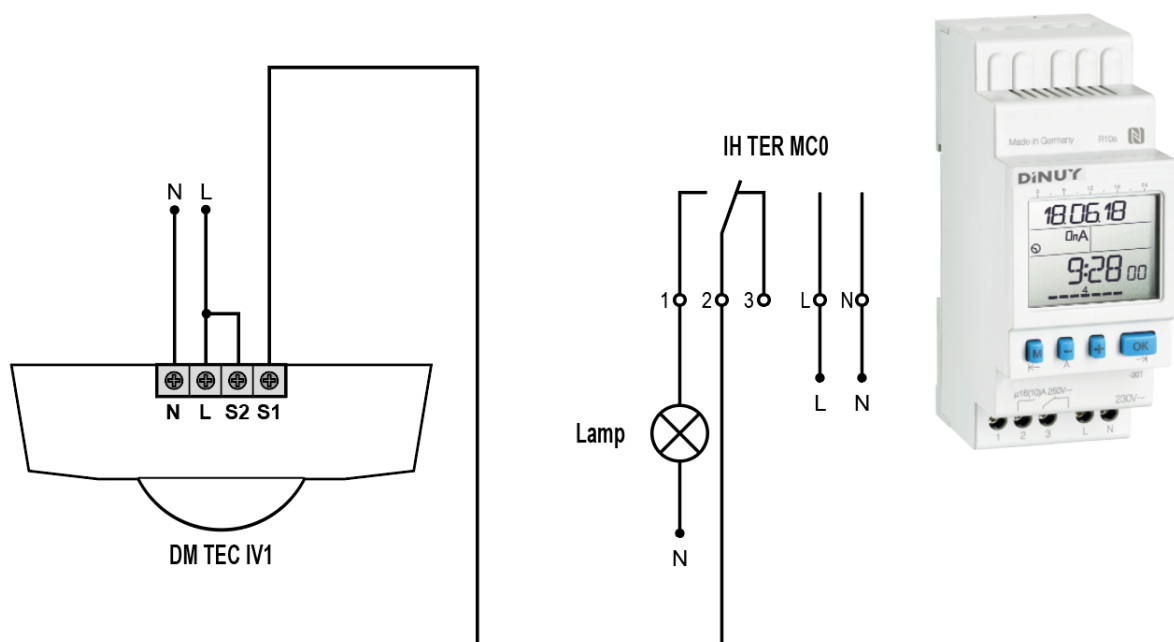
## DM TEC IV1

### 1-channel Ceiling Mounted Movement Detector with Inverted Relay

- **Example 5:** Detector together with tactile timed pushbutton. The lamps will be activated for a time when the button is pressed and no movement is detected.



- **Example 6:** Detector together with external Time Switch. The lamps will be activated when the programming of the time switch allows it and no movement is detected.



## DM TEC IV1

### 1-channel Ceiling Mounted Movement Detector with Inverted Relay

- **Example 7:** Detector together with Staircase time switch and wireless door contact. The lamps will be activated for a time when the button is pressed, the door is closed and no movement is detected.

