

Description

- The 4-channel Universal Interface is equipped with 4 independent channels which may be used as 4 binary Inputs or as 4 LED Outputs, depending on the parameterization with the ETS.
- Each channel may be used depending on the parameterization by the ETS:
 - Input: the interface can evaluate at its potential-free inputs up to 4 pushbutton/switch states and send the corresponding telegram according to the configured setting as: Switch, Dimmer, Multiple Switch, Sequential Switch, Shutter/Blind control, Scene Control, Fixed/Forced value or Counter.
 - Output: the 4 channels can control up to 4 low current LEDs as independent outputs.
- Flush-mounting in standard universal box, behind the pushbutton/switch.
- Supply from the Bus. External supply is not required.
- Built-in KNX BCU (Bus Coupler Unit).
- Programming and commissioning by ETS4 or later.

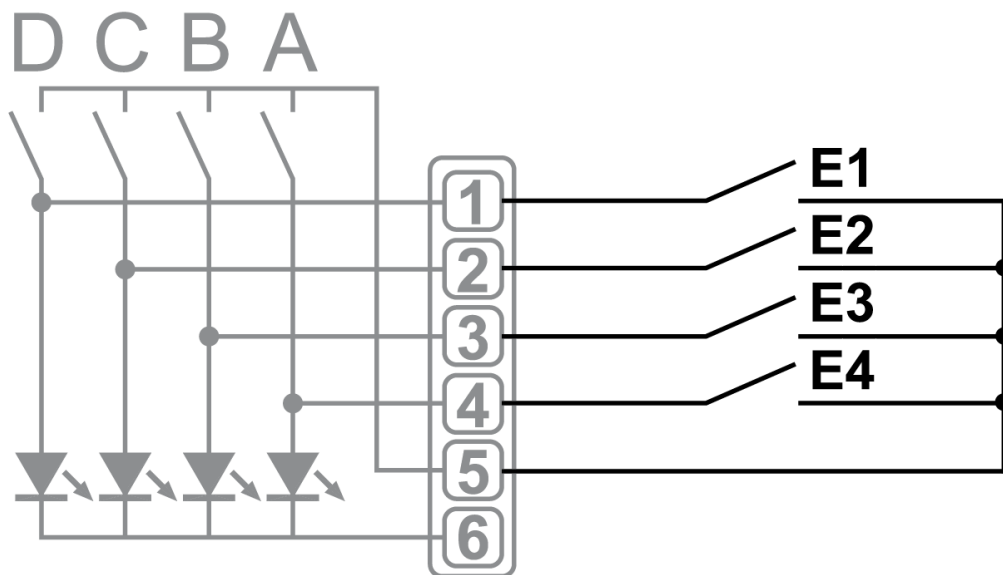


Technical Data

Reference	EM KNT 001
Power Supply	21 ~ 32V _{DC} (via Bus)
Power Consumption	< 10mA
Wires Length	~ 30cm
Line Length	< 10m
Connection Type	TP1 KNX Bus connector
Number of Inputs	4 channels
Input Polling Voltage	20V _{DC}
Input Current	0,5mA
Output Voltage	5V _{DC}
Output Current	< 2mA
Commissioning	ETS4 or later
Mounting	Flush-mounting within universal box
Safety	Short-circuit, Overload and Wrong Polarity protection
Dimensions	38 x 42 x 15mm
Working Temperature	0°C ~ +45°C
Protection Degree	IP20, according to EN20324

Wiring Diagrams

- With 4 Binary inputs:



- With 2 inputs and 2 outputs:

